

**HCP HAMHUNSA**

<http://www.rcthai.net> สยามนครชัยศิริ

**R.C. FLYING**  
Radio Control  
THE MOST EXCITING HOBBY & SPORT

**AIR TRACTOR AT802**

DESIGNED: เฉฉิมพล เหมหรรษา [hs7et@hotmail.com](mailto:hs7et@hotmail.com)

WINGSPAN 46.5"

WING AREA 315 SQ.IN

LENGTH 30.5"

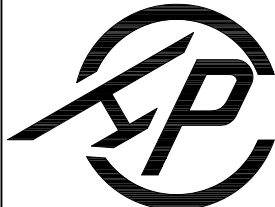
POWER MOTOR GS 1350kv SIZE 450

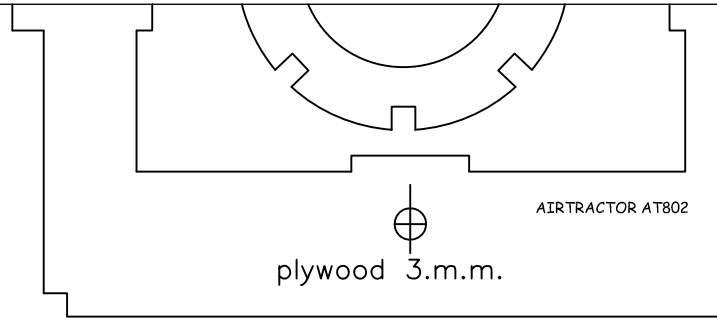
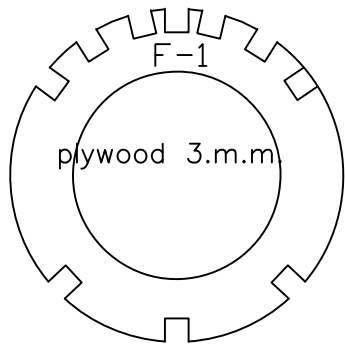
RADIO 4 CHANNEL

WEIGHT 1000g

WEIGHT 22/12/2556

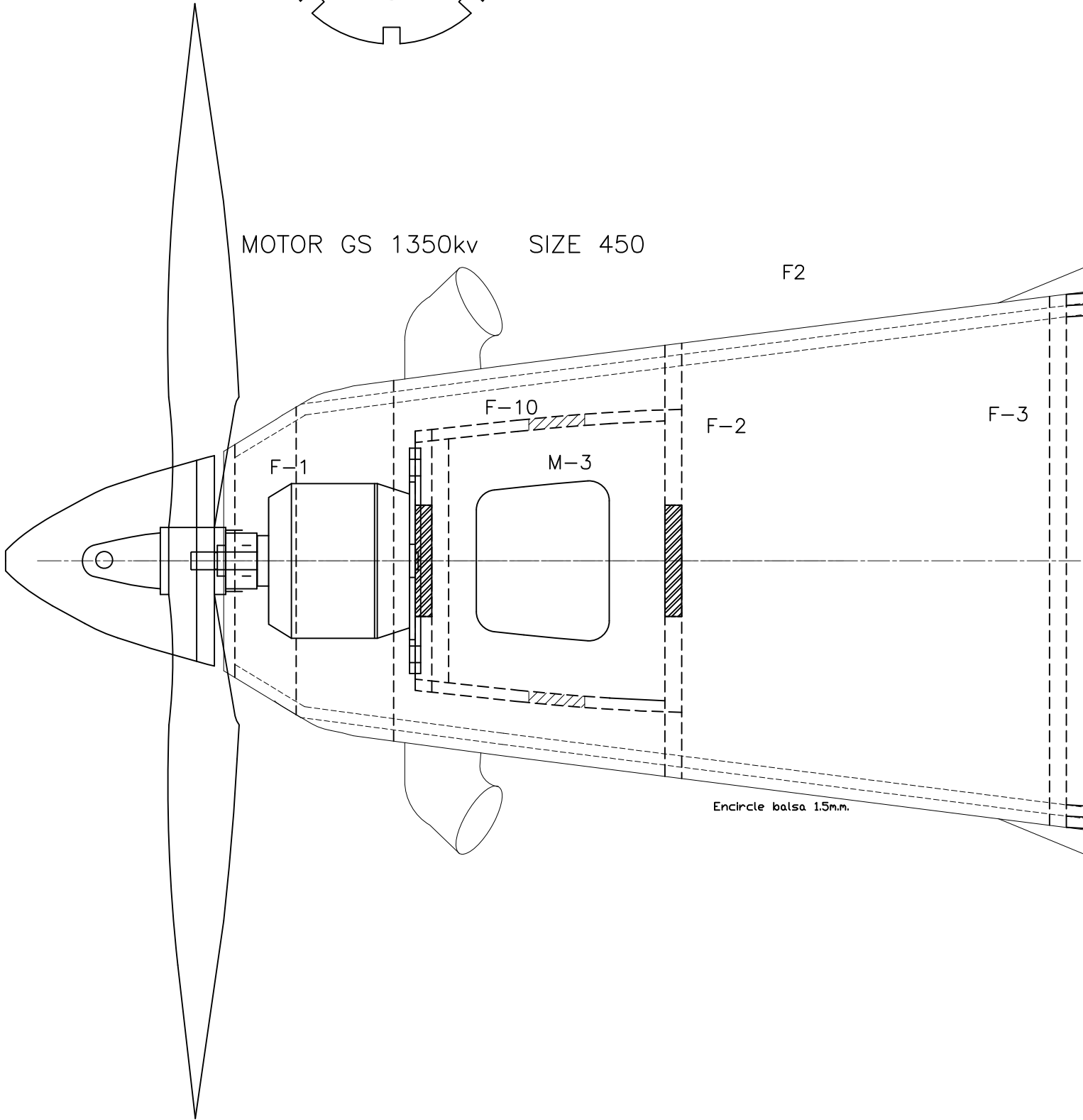
HAMHUNSA





MOTOR GS 1350kv SIZE 450

F2

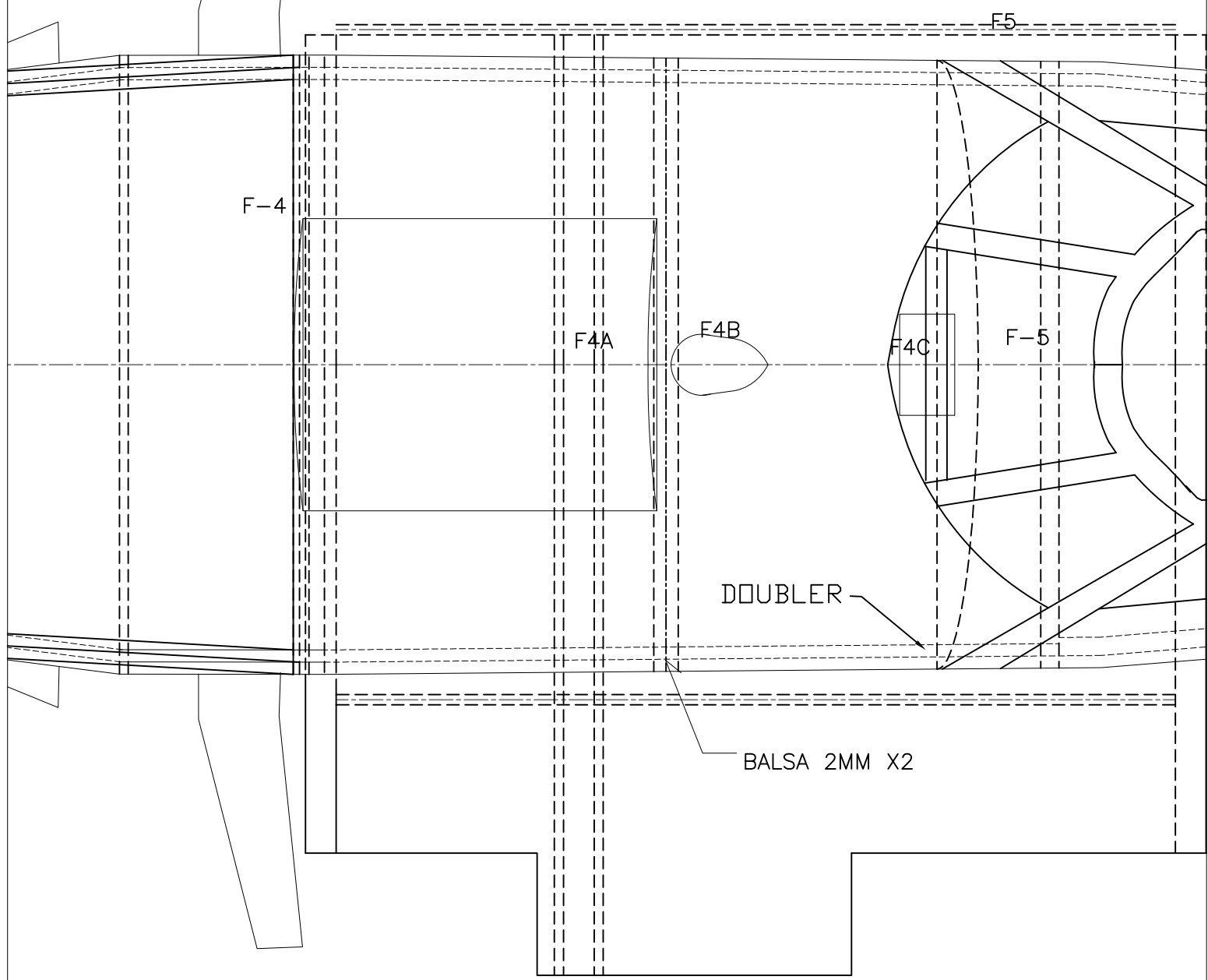


Encircle balsa 15m.m.

plywood 2.m.m.

AIRTRACTOR AT802

# TOP view





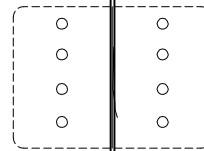
plywood 2.m.m.

od 2.m.m.

STABILIZER/ELEVATOR

BLASA 3m.m.

ELEVATOR  
BLASA 3m.m.



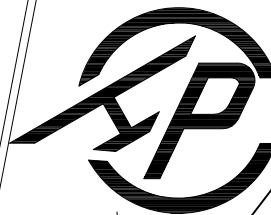
F9

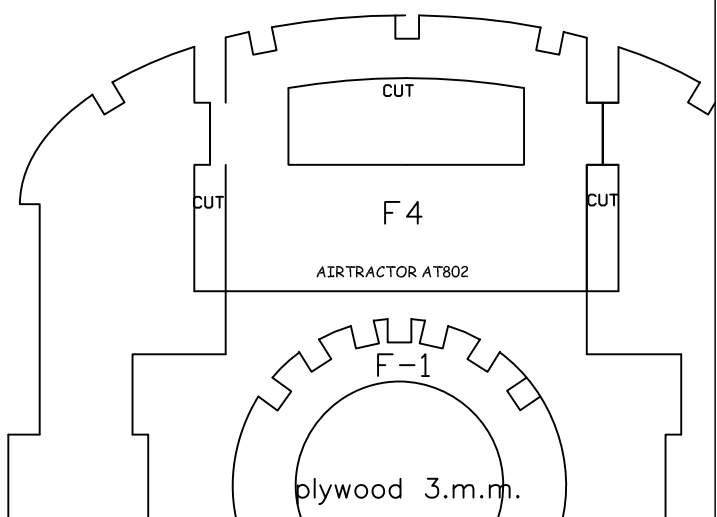
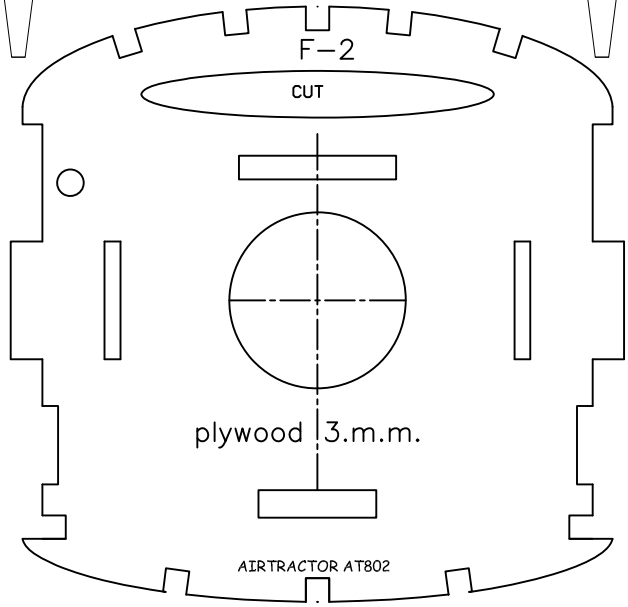
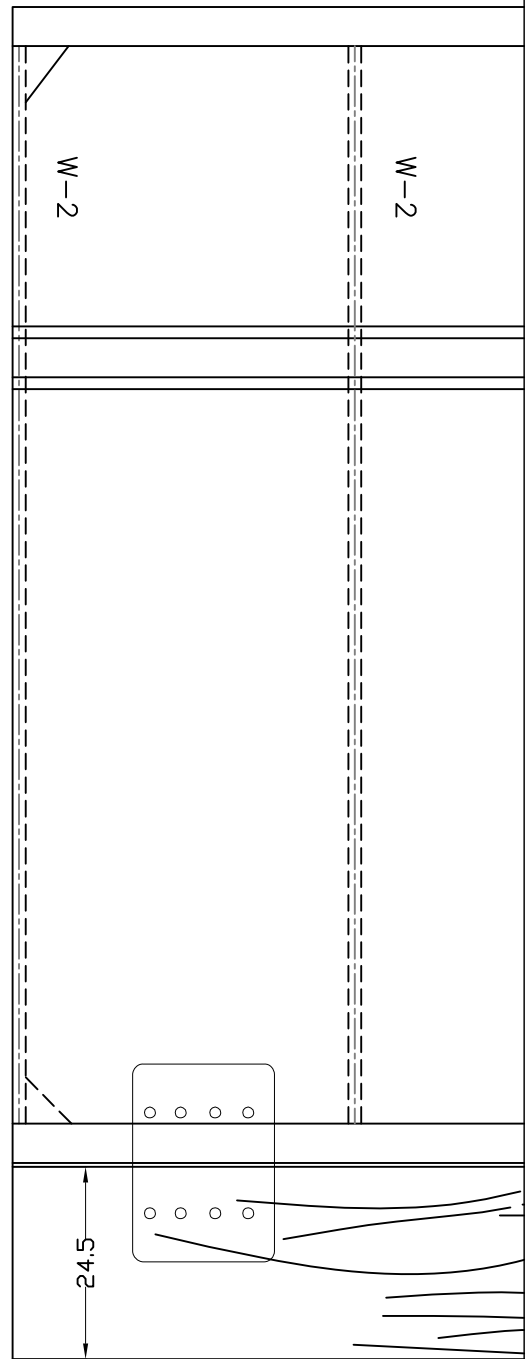
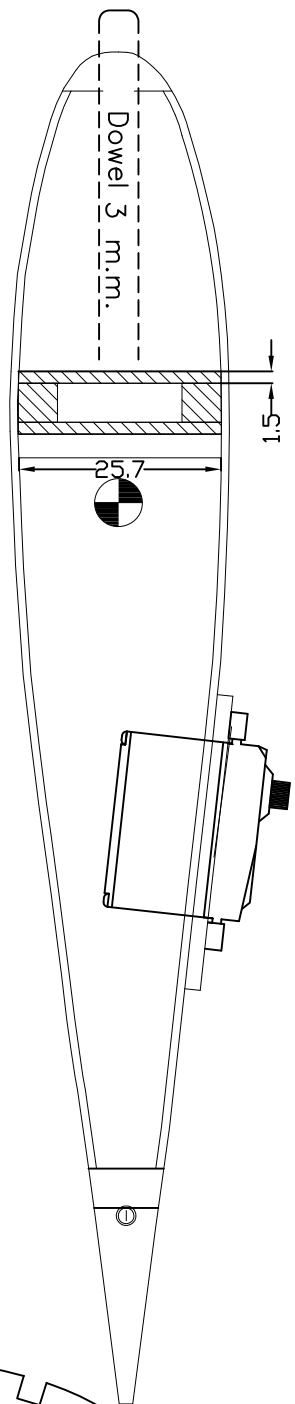
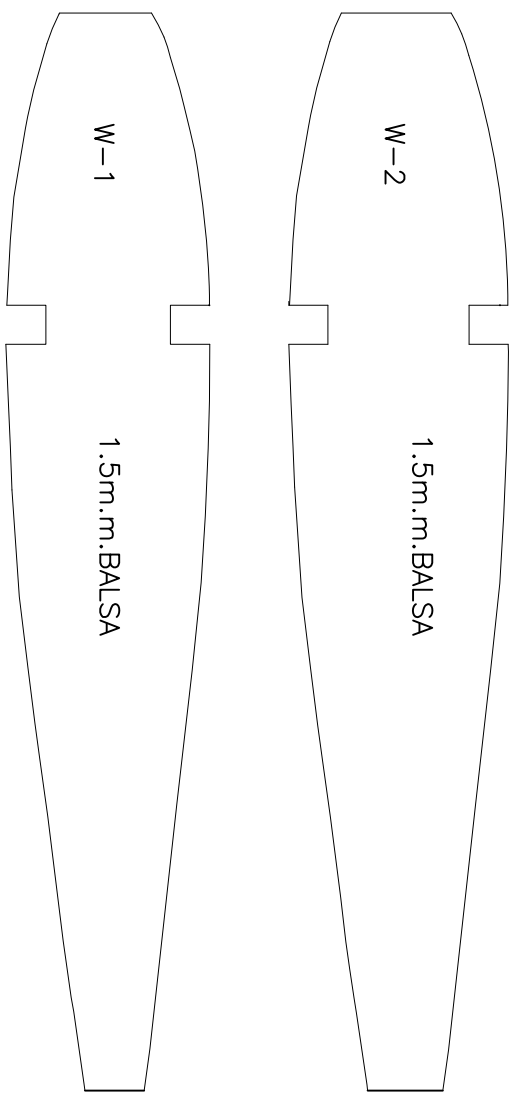
STABILIZER/ELEVATOR

ELEVATOR

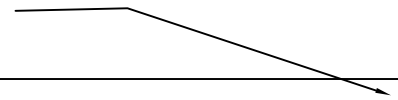
Plywood 3 m.m.

Plywood 3 m.m.





5X12m.m. Balsa

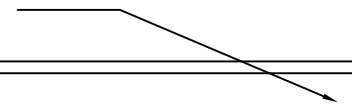


W-2

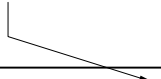
W-2

W-2

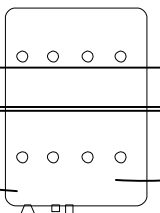
5X5m.m. Balsa SPRA



5X10m.m. Balsa



9X25m.m. Balsa



Aileron

F5  
plywood 2.m.m.

CUT

F3

